

TOYO SUBMERSIBLE MOTOR WITH INVERTER

EP

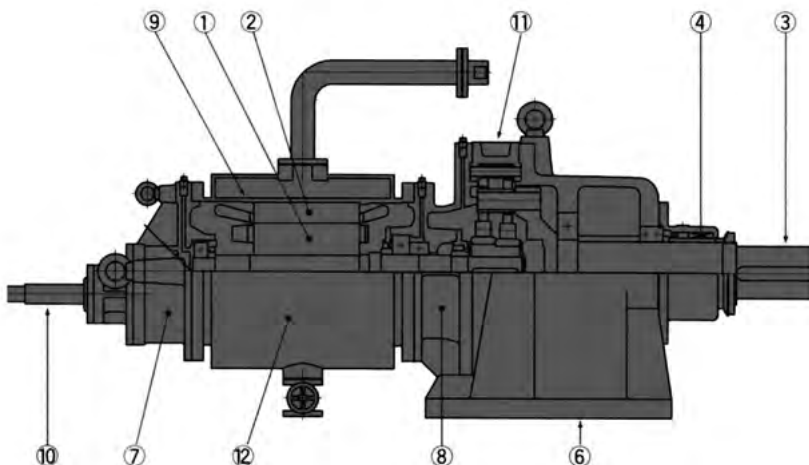


FEATURE

- Suitable to the water treatment in construction, factory and the other various purpose.
- Best for submersible pumps and submersible machines.

SPECIFICATION

MODEL		TM □ - □□ VH
MOTOR	POLE	6P
	OUTPUT	11kw~55kw
	FREQUENCY	50Hz/60Hz
	VOLTAGE/PHASE	220V/200V·220V 3-PHASES
	INSULATION	CLASS-B
	RATING	CONTINUOUS - SUBMERGED
	STARTING	DIRECT ON LINE (Star-Delta is available as option)
	CABTYRE CABLE	3PNCT 10m
	PROTECTION	OPTIONAL (THERMISTOR/THERMOSTAT)
	REDUCTION RATIO	REDUCTION GEAR
REDUCTION RATIO		1/11~1/87
SPEED		50Hz 91r/m~11r/m·0Hz 109r/m~14r/m
INSTALLATION		BASE (HORIZONTAL)
	SEALING	OIL SEAL/RAREFLON SEAL
	PAINT COLOR	METALIC SILVER
	CONNECTION	COUPLING



Name of Parts

1. Rotor
2. Stator
3. Shaft
4. Sealing Section
5. Flange
6. Base
7. Upper Cover
8. Under Cover
9. Motor Case
10. Cabtyre Cable
11. Cycloidal Reduction Gear
12. Water Cooling Jacket