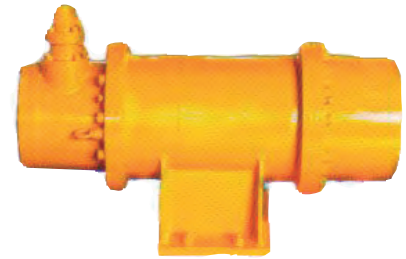


TOYO SUBMERSIBLE MOTOR

TM (VH)



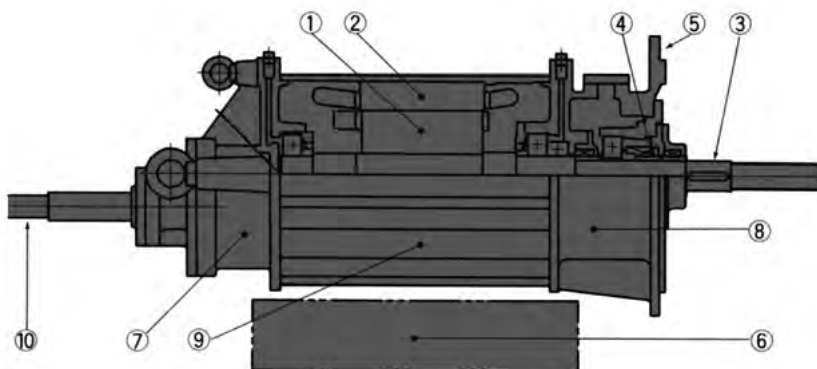
FEATURE

- Suitable to the water treatment in construction, factory and the other various purpose.
- Best for submersible pumps and submersible machines.

SPECIFICATION

MODEL	TM □ - □□	
POLE	4P	6P
POLE	0.75kw~15kw	11kw~55kw
FREQUENCY	50Hz/60Hz	
VOLTAGE/PHASE	220V/200V·220V 3-PHASES	
INSULATION	CLASS-B	
RATING	CONTINUOUS - SUBMERGED	
STARTING	DIRECT ON LINE (Star-Delta is optional for over 11kw) Δ	
CABTYRE CABLE	3PNCT 10m	
PROTECTION	THERMAL PROTECTOR	THERMOSTAT(OPTIONAL)
INSTALLATION	BASE (HORIZONTAL)/FLANGE (VERTICAL)	
SEALING	OIL SEAL & RAREFLON SEAL / MECHANICAL SEAL	
PAINT COLOR	METALIC SILVER	
CONNECTION	MAKE TO ORDER	

- Δ Thermal protector can't be installed in the models of 4P (11kW-15kW).



Name of Parts

1. Rotor
2. Stator
3. Shaft
4. Sealing Section
5. Flange
6. Base
7. Upper Cover
8. Under Cover
9. Motor Case
10. Cabtyre Cable

- Δ Thermal protector can't be installed in the models of 4P (11kW-15kW).
- Special equipment for high depth is also available.