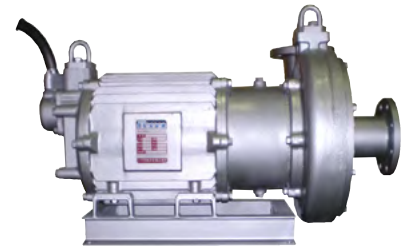


## TOYO AMPHIBIOUS AGITATOR SAND PUMP

# VH(HIGH DISCHARGE HEAD)



### FEATURE

- Two types are available : High discharge head (-H) / High discharge head with big bore (-HU).

DISCHARGE BORE	50~100mm
OUTPUT	5.5~22kw
SOLID SIZE	20~50mm

### SPECIFICATION

MODEL	BORE (mm)	STANDARD		SOLID SIZE (mm)	OUTPUT (kW)	POLE (P)	WEIGHT (kg)	CABTYRE CABLE 10m (symbol x mm <sup>2</sup> x core)
		HEAD (m)	CAPACITY (m <sup>3</sup> /min)					
VH-12H3DV $\Delta$	50	40	0.3	(20)	9	4	(235)	3PNCT×8 <sup>#</sup> ×4C
VH-15H	80	30	0.6	25(20)	11	4	320	3PNCT×8 <sup>#</sup> ×4C
VH-20H	80	35	0.8	25(20)	15	4	370	3PNCT×14 <sup>#</sup> ×4C
VH-30H	100	40	1	25(20)	22	4	500	3PNCT×38 <sup>#</sup> ×3C+3.5 <sup>#</sup> ×1C
VH-7.5HU	50	23	0.2	50(25)	5.5	4	205	3PNCT×5.5 <sup>#</sup> ×4C
VH-15HU	80	22	0.8	50	11	4	320	3PNCT×8 <sup>#</sup> ×4C
VH-20HU	80	30	0.8	50	15	4	370	3PNCT×8 <sup>#</sup> ×4C

- Specifications are changeable without notice. Please ask for Specification Sheet for the details.
- Figure inside ( ) in the column of solid size is in case of vertical model with Cutter Fan (agitator).
- Custom made equipments are also available.
- $\Delta$  is for submerged use only.

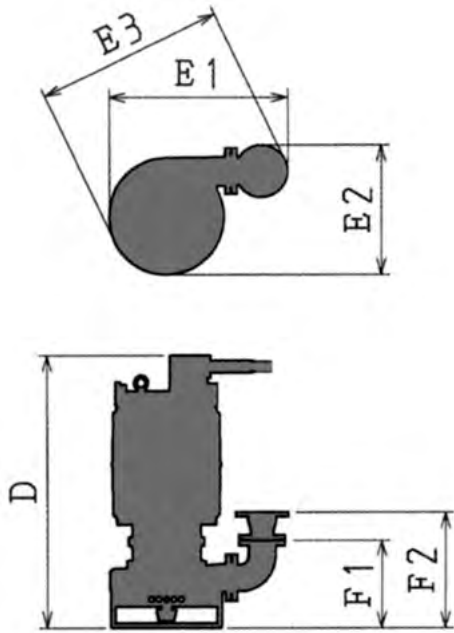
### SIZE

Unit : mm

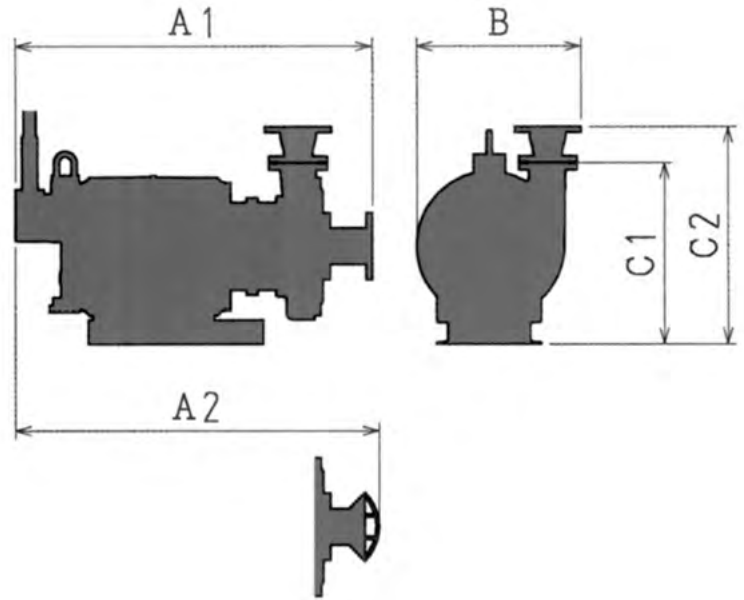
MODEL	A1	A2	B	C1	C2	D	E1	E2	E3	F1	F2
VH-12H3DV $\Delta$	—	—	—	—	—	871	457.5	507.	558	255	—
VH-15H	968	989	505.5	524	—	935	703.5	505.5	746	350	—
VH-20H	1037	1058	505.5	524	—	1004	703.5	505.5	746	50	—
VH-30H	1122	1143	518	—	67	1089	716	518	758	—	463
VH-7.5HU	807	807	464.5	—	628	782	677.5	464.5	710	—	506
VH-15HU	1028	1049	565	—	687	—	—	—	—	—	—
VH-20HU	1097	1118	565	—	687	—	—	—	—	—	—

- Specifications are changeable without notice. Please ask for Specification Sheet for the details.
- $\Delta$  is for submerged use only.

VERTICAL



VERTICAL



PERFORMANCE CURVES

50Hz 1500r/m

60Hz 1800r/m

