

TOYO SUBMERSIBLE AGITATOR SAND PUMP

GR(FOR CONSTRUCTION)

FEATURE

- Easy handling, long life-time and economy.
- Hi-Chrome casting iron is used in Impeller, Cutter Fan and the other expendable parts and every parts have enough thickness.
- Air outlet at the top of pump provides stable working in air-water mixing discharge operation.
- Mechanical Seal designed free from direct discharge pressure and has long life-time.



DISCHARGE BORE	80~100mm
OUTPUT	2.2~22kw
SOLID SIZE	15~40mm

SPECIFICATION

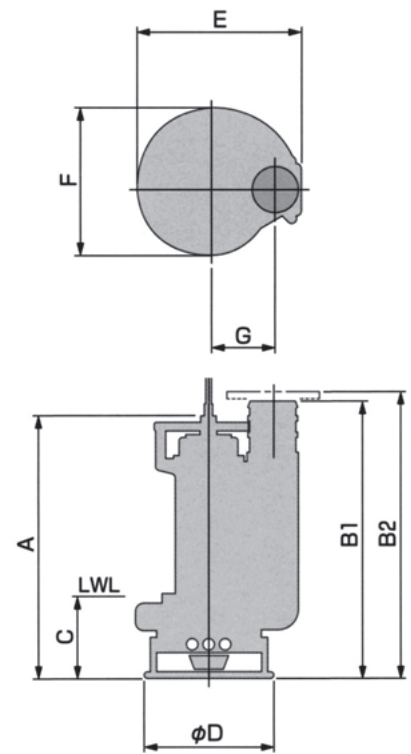
MODEL	BORE (mm)	STANDARD		SOLID SIZE (mm)	MOTOR		WEIGHT (kg)	CABTYRE CABLE 10m (200V) (symbol x mm ² x core)
		HEAD (m)	CAPACITY (m ³ /min)		OUTPUT (kW)	POLE (P)		
GR-3	80	10	0.5	22	2.2	4	115	2PNCT×5.5 [#] ×4C
GR-5	80	15	0.5	22	3.7	4	135	2PNCT×5.5 [#] ×4C
GR-7.5	100	12	1	25	5.5	4	145	2PNCT×5.5 [#] ×4C
GR-7.5H	100	13.5	1	15	5.5	4	145	2PNCT×5.5 [#] ×4C
GR-10	150	10	2	35	7.5	4	180	2PNCT×5.5 [#] ×4C
GR-10-100	100	10	1.2	35	7.5	4	180	2PNCT×5.5 [#] ×4C
GR-10HS *	100	15	1	20	7.5	4	180	2PNCT×5.5 [#] ×4C
GR-10HS-80 *	80	15	0.8	20	7.5	4	180	2PNCT×5.5 [#] ×4C
GR-15	100	18	1.5	30	11	4	270	2PNCT×8 [#] ×4C
GR-15H	100	20	1.5	25	11	4	270	2PNCT×8 [#] ×4C
GR-15-150 *	50	15	2	30	11	4	270	2PNCT×8 [#] ×4C
GR-30	100	30	1.5	30	22	4	440	2PNCT×380 [#] ×4C
GR-30B	150	19	3.2	40	22	4	440	2PNCT×380 [#] ×4C

● Specifications are changeable without notice. Please ask for Specification Sheet for the details.

● * only 60Hz available.

SIZE

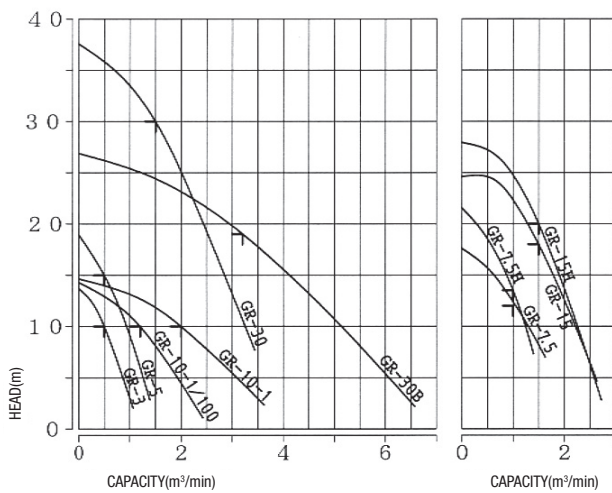
MODEL	A	B1	B2	C	D	E	F	G
GR-3	677	673	693	235	384	395	370	160
GR-5	742	738	758	235	384	395	370	160
GR-7.5	757	760	790	250	396	425	401	170
GR-7.5H	575	760	790	250	396	425	401	170
GR-10	800	843	873	250	396	500	450	195
GR-10-100	800	743	783	250	396	500	450	195
GR-10HS *	800	743	873	250	500	450	195	890
GR-10HS-80 *	800	843	873	250	396	500	450	195
GR-15	890	823	853	280	488	514	494	215
GR-15H	890	823	853	280	488	514	494	215
GR-15-150 *	890	823	893	280	488	514	494	215
GR-30	1100	1048	1078	400	475	630	565	250
GR-30B	110	1048	1078	400	475	630	565	250



- Specifications are changeable without notice. Please ask for Specification Sheet for the details.
- *only 60Hz available.

PERFORMANCE CURVES

50Hz 4P...1500r/m



60Hz 4P...1800r/m

