

TOYO SUBMERSIBLE AGITATOR SAND PUMP

DPFS(HIGH HEAD)

FEATURE

- Toyo Submersible Agitator Sand Pump of high discharge head with 4 Pole motor
- Big solid size : 10mm to 35mm.
- Cutter Fan (agitator) is installed.



DISCHARGE BORE	100~150mm
OUTPUT	15~45kw
SOLID SIZE	10~35mm

SPECIFICATION

MODEL	BORE (mm)	STANDARD		SOLID SIZE (mm)	OUTPUT (kW)	VOLTAGE (V)	POLE (P)	WEIGHT (kg)	CABTYRE CABLE 10m (symbol x mm ² x core)
		HEAD (m)	CAPACITY (m ³ /min)						
DPFS-20 *	100	28	1.0	35	15	200	4	490	3PNCT×14 [#] ×4C
DPFS-20 *	100	25	1.0	35	15	200	4	490	3PNCT×14 [#] ×4C
DPFS-20H *	100	30	1.0	10	15	200	4	490	3PNCT×14 [#] ×4C
DPFS-20H *	100	28	1.0	10	15	200	4	490	3PNCT×14 [#] ×4C
DPFS-25 *	100	30	1.0	10	18.5	200	4	550	3PNCT×** [#] ×3C·3.5 [#] ×1C
DPFS-40H *	100	40	1.5	15	30	200	4	750	3PNCT×38 [#] ×3C·3.5 [#] ×1C
DPFS-50S-100 *	100	45	1.5	35	37	200	4	710	3PNCT×50 [#] ×3C·8 [#] ×1C
DPFS-50S-100 *	100	45	1.5	15	37	200	4	710	3PNCT×50 [#] ×3C·8 [#] ×1C
DPFS-50 *	150	35	2.5	10	37	200	4	730	3PNCT×50 [#] ×3C·8 [#] ×1C
DPFS-50H *	150	50	1.5	15	37	200	4	710	3PNCT×50 [#] ×3C·8 [#] ×1C
DPFS-60 *	150	40	2.8	20	45	200	4	730	3PNCT×50 [#] ×3C·8 [#] ×1C

- Specifications are changeable without notice. Please ask for Specification Sheet for the details.
- * only 50Hz available.
- * only 60Hz available.

SIZE

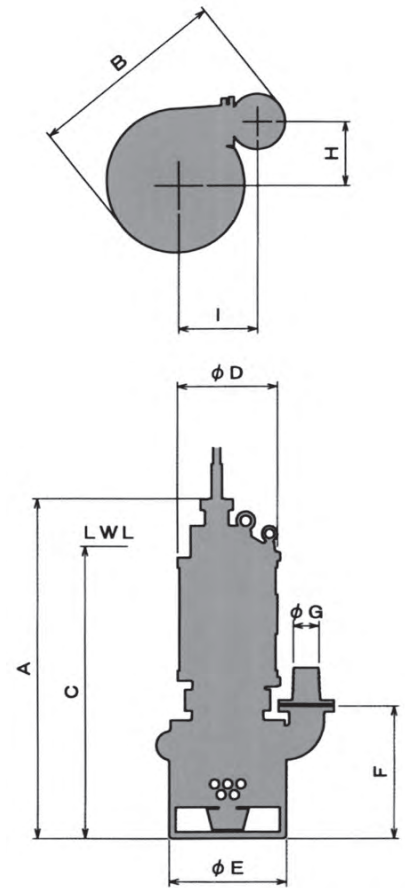
Unit : mm

MODEL		A (HEIGHT)	B (WIDTH)	C (LWL)	D	E	F	G	H	I
DPFS-20	*	1280	750	1100	380	445	500	100	240	298
DPFS-20	*	1280	750	1100	380	445	500	100	240	298
DPFS-20H	*	1280	750	1100	380	445	500	100	240	298
DPFS-20H	*	1280	750	1100	380	445	500	100	240	298
DPFS-25	*	1310	825	1100	380	515	495	100	280	313
DPFS-40H	*	1390	910	1200	415	635	515	100	320	333
DPFS-50S-100	*	1420	825	1200	415	515	495	100	280	313
DPFS-50S-100	*	1420	825	1200	415	515	495	100	280	313
DPFS-50	*	1440	955	1200	415	510	580	150	310	363
DPFS-50H	*	1420	883	1200	415	515	515	150	280	343
DPFS-60	*	1510	955	1300	416	510	580	150	310	363

● Specifications are changeable without notice. Please ask for Specification Sheet for the details.

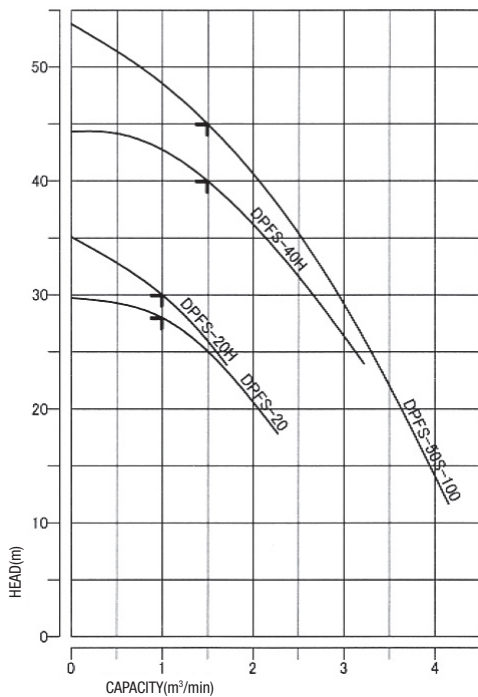
● * only 50Hz available.

● * only 60Hz available.



PERFORMANCE CURVES

50Hz 4P...1500r/m



60Hz 4P...1800r/m

